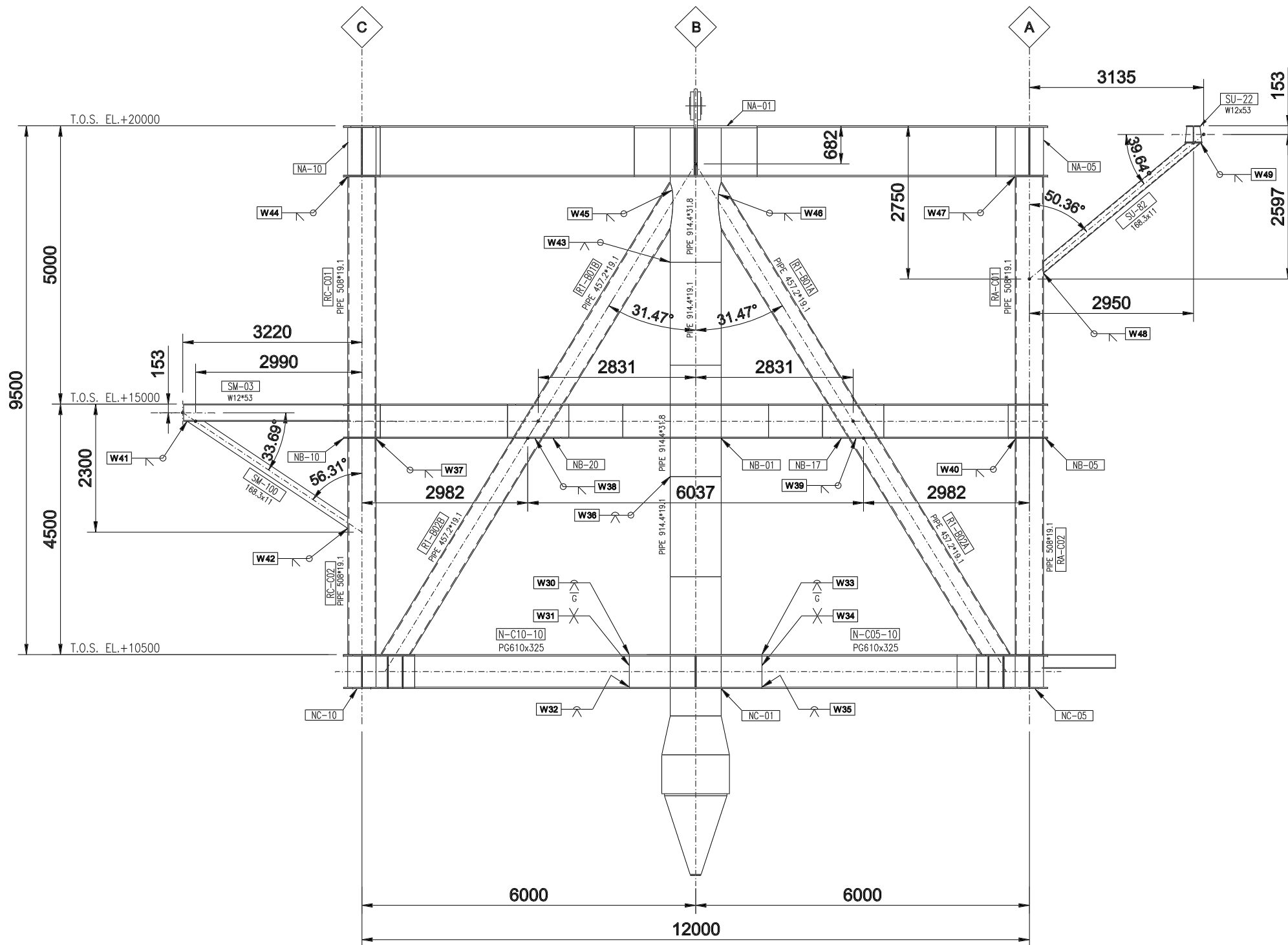
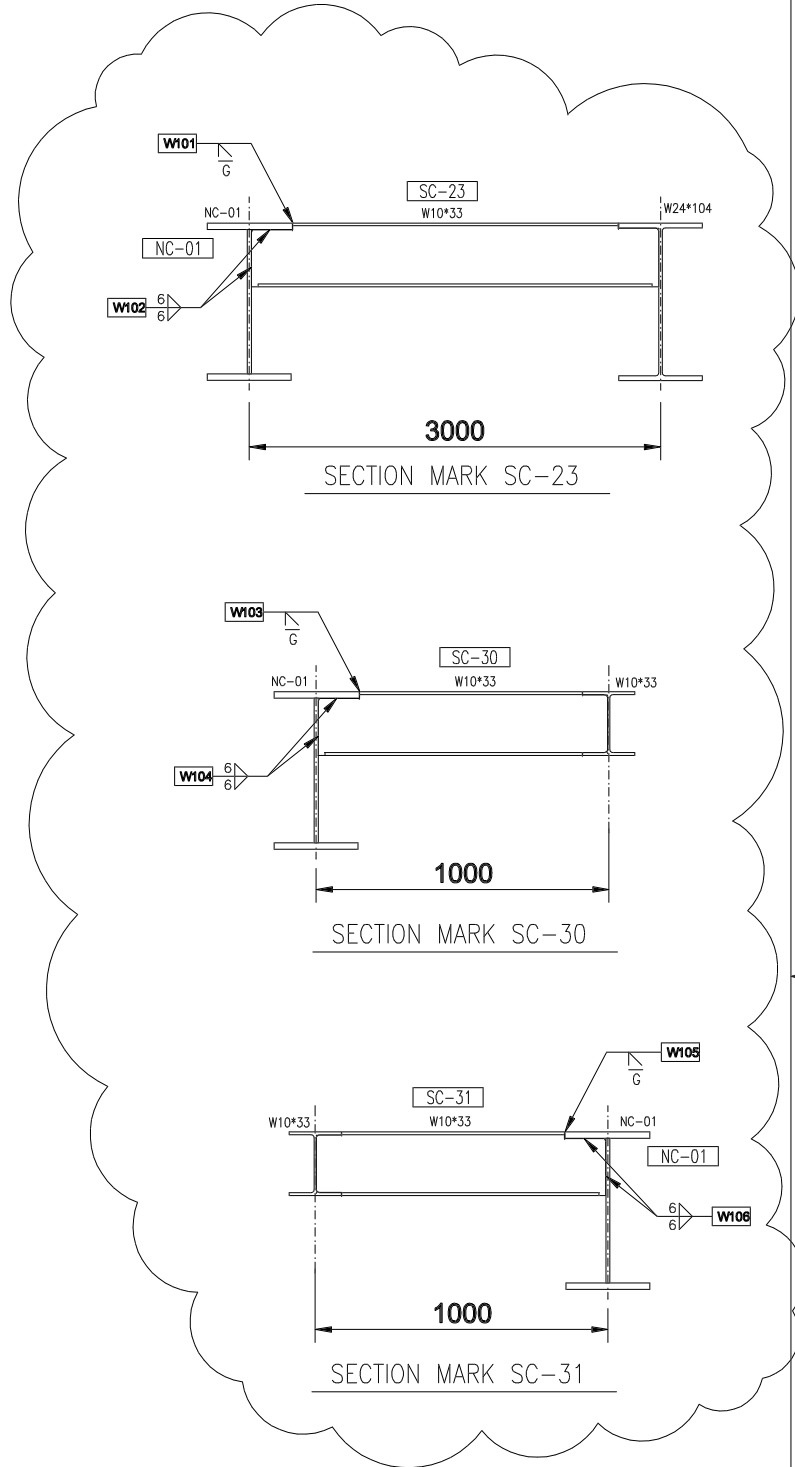


This drawing and the design it covers are the property of PETROMAR. They are merely loaned and on the borrower's express agreement that they will not be reproduced, copied, loaned, exhibited, nor used except in the limited way and private use permitted by the lender to the borrower.



**C-C SECTION**  
Sh. 1 Scale: NTS



**NOTES**

- 1 - ALL DIMENSIONS ARE IN MILLIMETRES U.N.O.
- 2 - ALL ELEVATIONS ARE REFERRED TO MEAN LOW WATER (M.L.W.) ± 0.00 m.
- 3 - THE SYMBOL Wxx INDICATES WELDS TO BE PERFORMED IN FIELD
- 4 - WELD NUMBER: W30 - W49, W101 ÷ W106

| REF. DOC. N°                | REV | REFERENCE DOCUMENT TITLE           | Rev. | Date DD-MM-YY | Revision Description           | Originator Visa | Checker Visa | Approval Visa | Project Visa |
|-----------------------------|-----|------------------------------------|------|---------------|--------------------------------|-----------------|--------------|---------------|--------------|
| F33099-PTM-200-STR-ASD-2200 | 02  | DECK - CELLAR DECK - ASSEMBLY CD01 |      |               |                                |                 |              |               |              |
| F33099-PTM-200-STR-ASD-2201 | 02  | DECK - MAIN DECK - ASSEMBLY MD01   | 2    | 15-MAR-09     | REVISED I.A.W. CLIENT REVISION | ICV             | NAR          | MMF           | ADV/DMCI     |
| F33099-PTM-200-STR-ASD-2202 | 01  | DECK - UPPER DECK - ASSEMBLY UD01  | 1    | 25-FEB-09     | APPROVED FOR CONSTRUCTION      | ICV             | NAR          | MMF           | ADV/DMCI     |

|                                    |  |
|------------------------------------|--|
| Scale:                             | N.T.S.                                   |
| Original Paper size:               | A3                                       |
| Plotter:                           | A1 -<br>A3 -                             |
| Company:                           | TOTAL E&P ANGOLA<br>ANGOLA - BLOCK 17    |
| Project name:                      | BLOCK 2<br>SINGLE CENTRAL PLATFORM (SCP) |
| Company's contract N°:             | N/A                                      |
| Product:                           | N/A                                      |
| Type of document:                  | DRAWING                                  |
| Company's document Identification: | -  |

|  |                                     |
|--|-------------------------------------|
| Contractors:                               |                                     |
| Document title:                            | DECK<br>ERECTION<br>ELEVATION ROW 1 |
| Contractor's documentation identification: |                                     |
| Job N°                                     | F33099                              |
| Origin                                     | PTM                                 |
| Unit                                       | 200                                 |
| Discipline                                 | STR                                 |
| Doc. Type                                  | ERD                                 |
| Seq. Num.                                  | 2300                                |
| Sheet                                      | 6-9                                 |
| Rev.                                       | 2                                   |